



# POSI-LUBE

## Continuous Bearing Protection

The Rockwell American exclusive Posi-Lube spindle provides grease flow that continually repacks and protects the bearings. This premier lubrication system limits water entry, thus extending the life of the bearings, spindle and hub.

### Seasonal Maintenance Is Easily Accomplished!

Fast and easy maintenance eliminates the need and expense of having to disassemble and repack the unit, just follow the simple three step lubrication process:

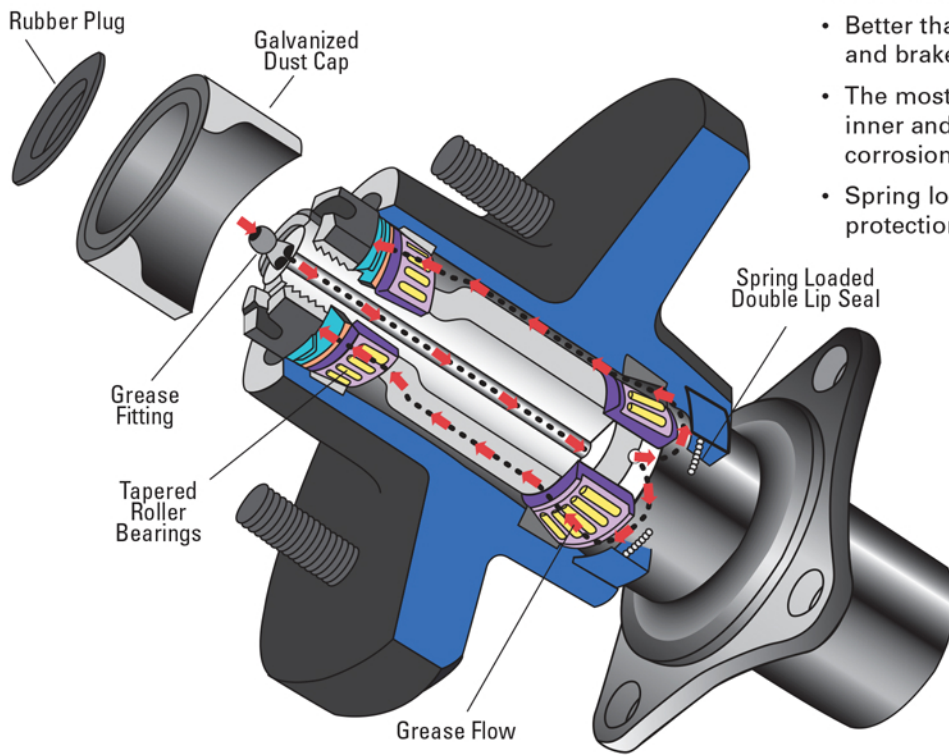
- Remove rubber plug.
- Insert grease gun into grease fitting. Pump grease until old grease comes back out the front.
- Remove old grease and reinstall rubber plug.



Posi-Lube is standard when ordering spindles, end units or axles in capacities ranging from 1,000 lbs. to 8,000 lbs.

### The Posi-Lube Advantage

- Better than the competition – available in both idler and brake axles.
- The most efficient and economical way to keep inner and outer bearings protected from water entry, corrosion and wear (After hub is filled with grease).
- Spring loaded double lip seal for maximum protection against water entry.



**Rockwell  
American**  
**Rock Solid Solutions!**